

Remote Display AP24



Features:

- For tool change and setpoint setting
- Remote display without actual value measurement
- Control key for acknowledging
- Integrated bus interface (RS485)
- Two-line LCD display
- User guidance via bicolour LED
- M8 plug-in connector

SIKO GmbH

Address
 Weihermattenweg 2
 79256 Buchenbach

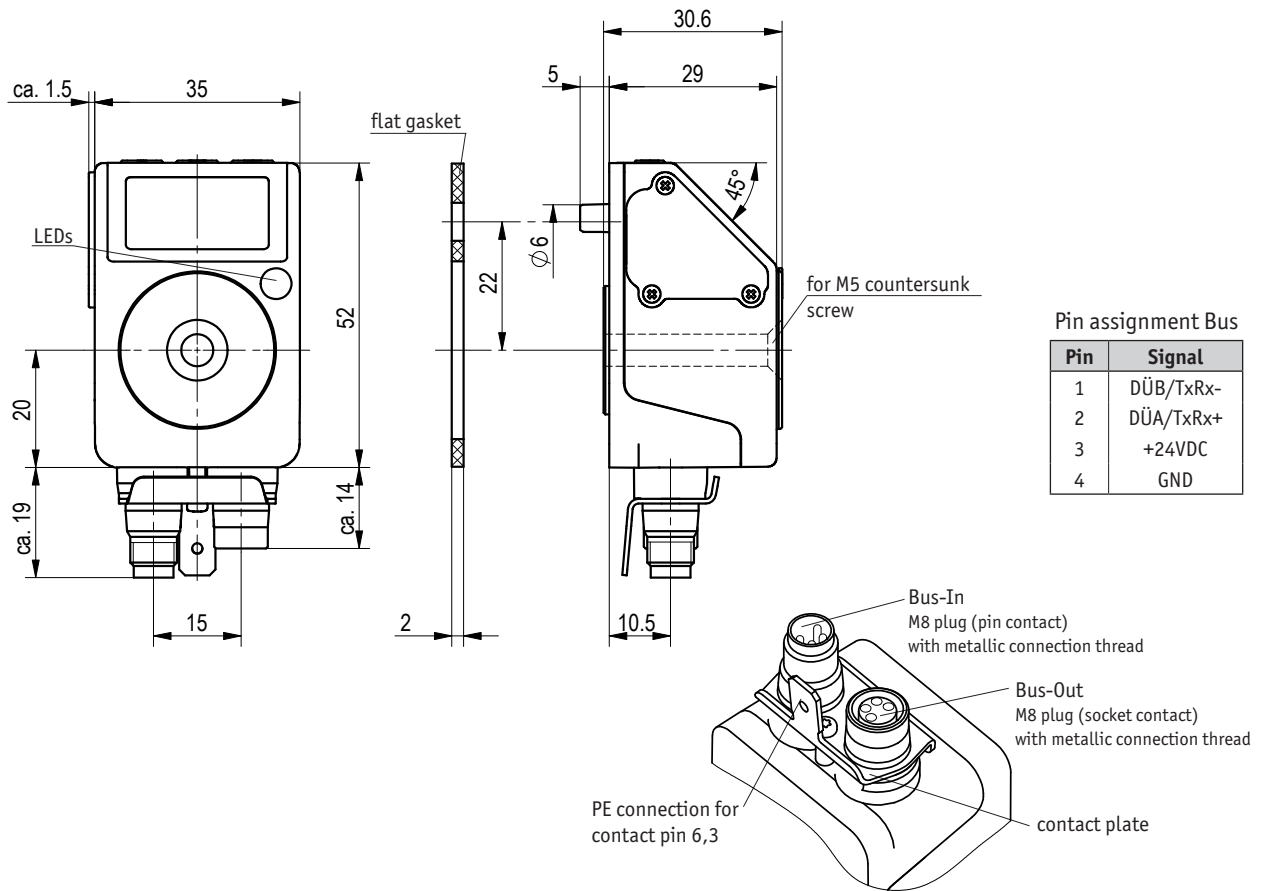
Telephone
 +49 7661 394-0
Fax
 +49 7661 394-388

eMail
 info@siko.de
Internet
 www.siko.de

Features	Order text	Additional information
Interface/protocol	S3/00 RS485	
Protection	IP54 B IP65	standard
Software	S C	standard

Your ordering: - - -

Remote Display AP24



Technical data

Mechanical data:

Housing	platic, reinforced
Housing color	black, RAL 9005

Environmental conditions:

Operating temperature	0° ... 60 °C
Storage temperature	-20 °C ... +80 °C
Humidity	condensation not permitted
Protection	IP54 IP65

Electrical data:

Supply voltage	24 VDC $\pm 20\%$
Power consumption	approx. 20 mA
Connection	2 x M8 connector
Bus connection	RS485
Display	LCD
Special signs	left arrow, right arrow, incremental measurement
Display size	figures approx. 7 mm high
Signal display	2-colour LED (red / green)
Keyboard	acknowledgement, parameterization

Additional information

metallic connector thread

when built in; standard version option

if operated with LEDs, plus approx. 3 mA per LED
4-pin, 1x socket, 1x plug, additional shield connection via flat connector 6,3 mm

no galvanic isolation
7-segment + decimal points; 2 lines of 5 digits each, special characters

programmable position status

Accessory

BAS-0005	bus termination connector	
KV04S1	cable extension	
84209	mating connector, 4 pin socket	M8 can be shielded
84210	mating connector, 4 pin plug	M8 can be shielded