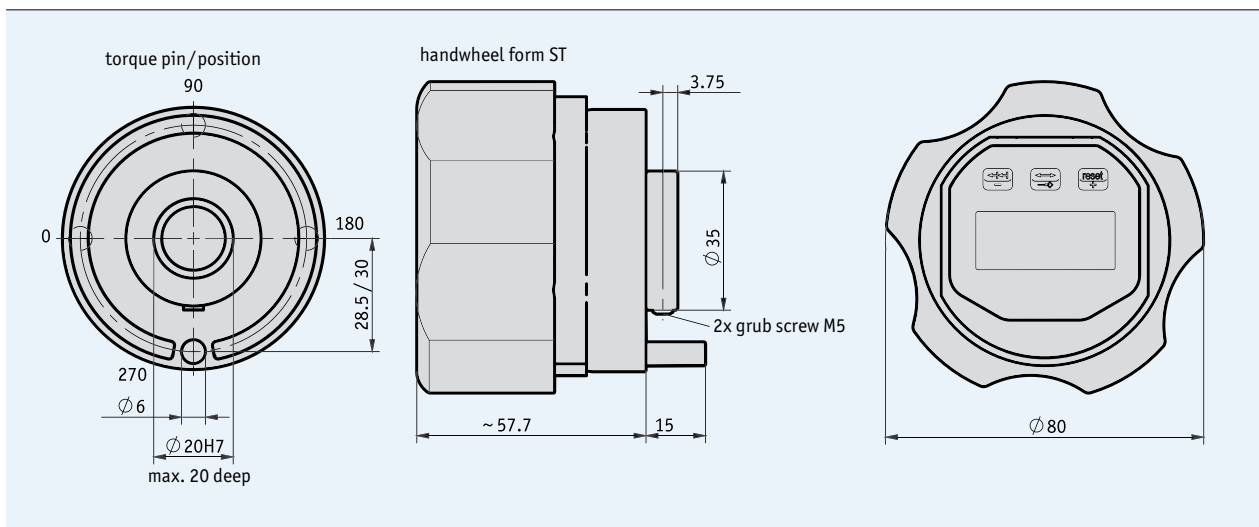


Profile

- Control knob with integrated 5 digits LCD display
- Digit height approx. 11.5 mm
- Values to be displayed freely programmable
- Can be used for length or angle measurement
- Shaft accommodation max. 20 mm
- Long battery service life

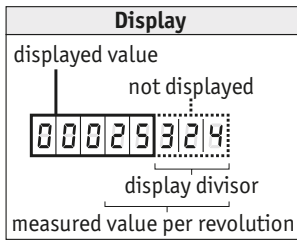


Mechanical Data

Feature	Technical data	Additional information
Housing	plastic	colour: matt, black
Protection category	IP65	
Operating temperature	-10 °C ... +60 °C	
Storage temperature	-30 °C ... +80 °C	
Speed	≤ 200 rpm	
Weight	~0.25 kg	

Electrical data

Feature	Technical data	Additional information
Display	LCD display, 5-digit, digit height 11.5 mm	
Operating voltage	3 V CR2477 coin cell	~8 years of service life
Display range	-19 999 ... +99 999	



Display divisor

The indication of the measured value on the display can be influenced by means of the divisor (divider). The divisor shifts figures of the measured value into the invisible sector of the display unit. Although the figures are not displayed, they are also calculated by the electronics unit and mathematically rounded.

Calculation of value displayed (example: order text):

Measured value per revolution 25324
Display divisor 1000

Feature	Value displayed	Measured value
1 st revolution	25	25324
2 nd revolution	51	50648
3 rd revolution	76	75972

Order

■ **Order table**

Feature	Order data	Additional information
Measured value per revolution*	... 2 ... 90000	see calculation of value displayed
	W3600 A angular mode 0 ... 360°, resolution 0.1°	only for decimal point „1“
	Z3600 angular mode -180° ... +180°, resolution 0.1°	only for decimal point „1“
Decimal place*	0 B 0 = 00000	
	1 1 = 0000.0	
	2 2 = 000.00	
	3 3 = 00.000	
Display divisor*	... C 1, 10, 100, 1000	see calculation of value displayed
Counting direction* = ascending values	i D clockwise	
	e counter-clockwise	
Key pad operation*	D E Reset directly	
	V Reset delayed by 5 s	
Hollow shaft/diameter (mm)	20 F RH8, RH10, RH12, RH14	reduction sleeve, others on request
	...	
Torque support/position	I G 28.5 mm	
	II 30.0 mm	
Torque support/position	270 H See drawing	only with position I
	90 See drawing	only with position II

* programmable by means of ProTool DE programming software

■ **Order key**



Scope of delivery: DKE01, User information



Accessories:
ProTool DE