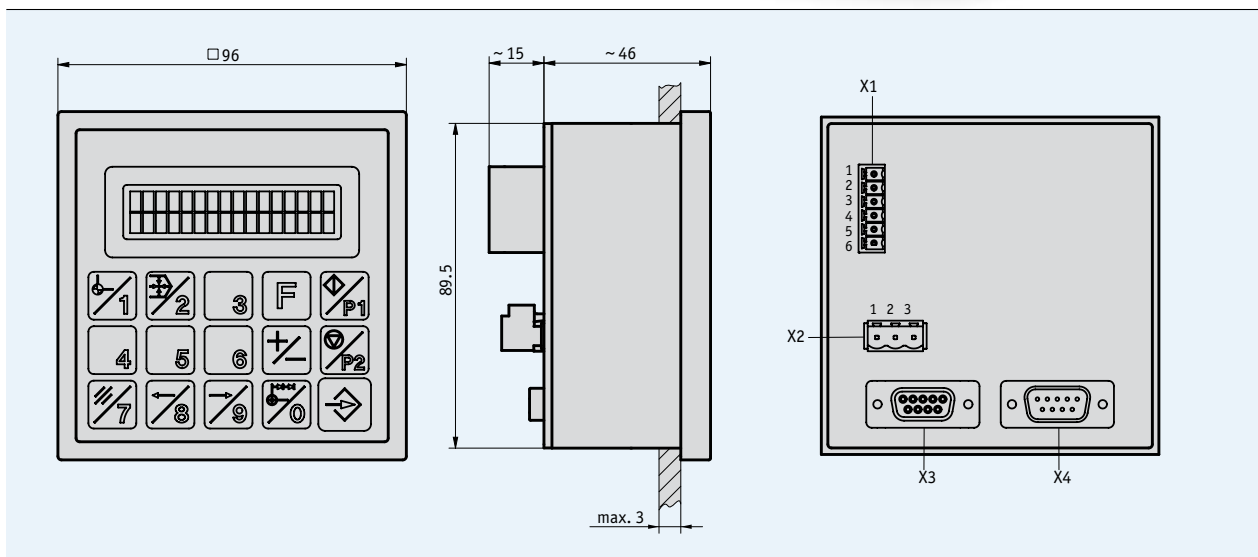


Profile

- Central control station for AP04, AP04S, AP24 position indicators and actuators AG05
- Up to 31 devices can be controlled
- Management of up to 99 setpoint value sets
- Individual or block positioning
- Setpoint input via keyboard or teach-in
- Clear text LCD display
- Switching outputs, RS232 interface



2.4

Mechanical data

Feature	Technical data	Additional information
Operating temperature	0 ... +50 °C	
Storage temperature	-20 ... +85 °C	
Humidity	condensation inadmissible	
Protection category	IP20 whole device IP60 front with switchboard mounting	DIN 40050
Connection	terminal strip, D-SUB 9-pins for interfaces	
Keyboard	Membrane keys with pressure point	
Housing	Plastic	switchboard cutout 92 x 92 mm, DIN 43700
Weight	0.25 kg	

Electrical data

Feature	Technical data	Additional information
Operating voltage	24 V DC \pm 10 %	reverse-polarity protection
Current consumption	100 mA	at 24 V, without encoder
Switching inputs	24 V DC, 10 mA	2 pcs. high aktiv
Switching outputs	24 V DC, 200 mA	open emitter 2 pcs.
Display	LCD dot matrix 2x 16 characters	backlight
Display range	-9 999 999 ... +9 999 999	
Encoder interface	RS485 (SIKONETZ 5)	position indicator connection
Service interface	RS232 (Service Mode)	
Supply encoder	24 V DC, \leq 900 mA	D-DUB encoder interface X3
Interference protection class	EN61000-6-2, EN6100-6-4	

Pin assignment

In-/outputs X1	PIN
Switching input 1	1
GND	2
Switching output 1	3
Switching input 2	4
GND	5
Switching output 2	6

Operating voltage X2	PIN
PE	1
GND	2
+24 V DC	3

Encoder interface X3	Service interface X4	PIN
+Ub supply encoder	N.C.	1
N.C.	TXD	2
DÜA	RXD	3
N.C.	N.C.	4
GND	GND	5
N.C.	N.C.	6
N.C.	N.C.	7
DÜB	N.C.	8
N.C.	N.C.	9

2.4

Order

Order code

MX04 - 4 - I/O, PNP - S3/09 - S1/00 - S

Scope of delivery: MX04, User information

Accessories:

Mating connectors

Page 106

Additional information:

General information and areas of application

Page 90 cont.