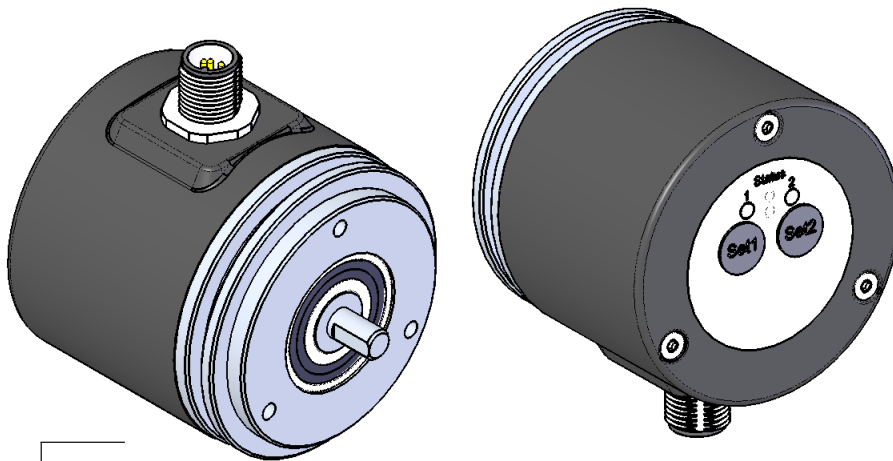


Absolute encoder AV58M



SIKO GmbH

Address
 Weihermattenweg 2
 79256 Buchenbach

Telephone
 +49 7661 394-0
Fax
 +49 7661 394-388

eMail
 info@siko.de
Internet
 www.siko.de

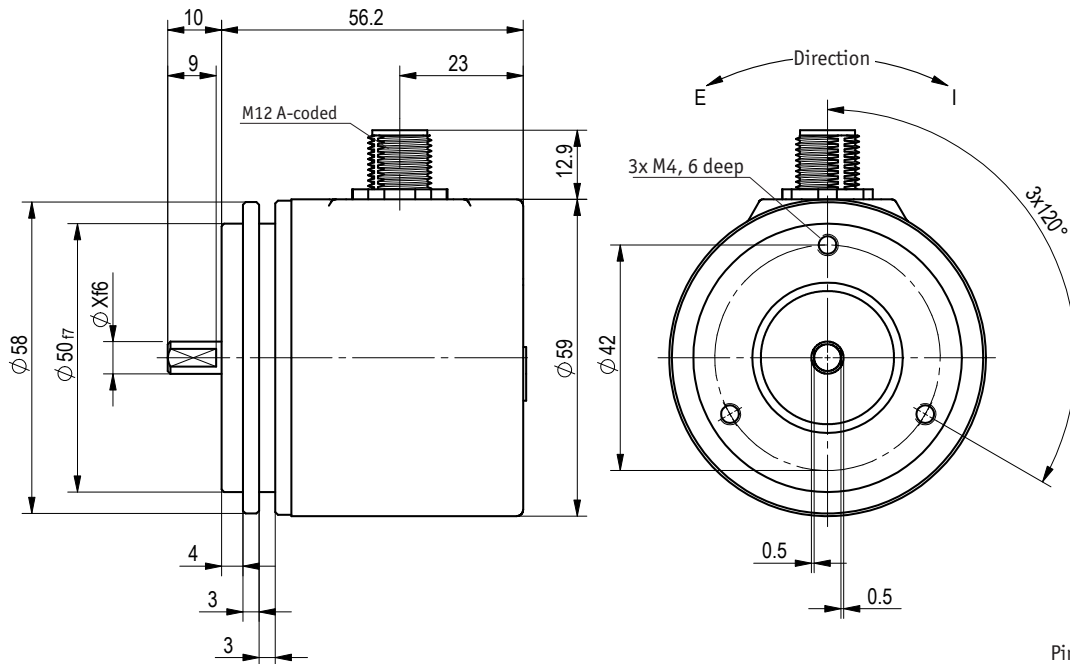
Features:

- Absolute analog encoder
- Resolution 4096
- Operating temperature up to -40 °C
- Voltage (0-10 V)/current (4-20 mA) outputs
- Programmable measuring range via teach-in function with key funktion or external inputs

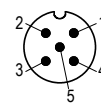
Feature	Order text	Additional information
Interface	MWI	A
	MWU	
Shaft	6 B in mm	
Connection type	M12 C 5 pole (A-coded)	

Your ordering: AV58M - - -

Absolute encoder AV58M



viewing side = plug-in side
plug pin



Pin assignment

Pin	Signal
1	I_{OUT}/U_{OUT}
2	+UB
3	GND
4	Set 1
5	Set 2

Technical data

Mechanical data:		Additional information
Housing	steel nickelized	
Shaft	special steel	
Load capacity of shaft	axial 20 N; radial 80 N	
Moment of inertia	$\leq 20 \text{ gcm}^2$	
Speed	max. 12000 min^{-1}	
Starting torque	$\leq 2 \text{ Ncm}$ (25 °C)	
Shock resistance	$\leq 100 \text{ g} / 6 \text{ ms}$	according to EN 60068-2-27
Vibration resistance	$\leq 10 \text{ g}$ (10 Hz ... 1,000 Hz)	according to EN 60068-2-6
Weight	ca. 0,15 kg	
Protection	IP64	
Working temperature	-40 °C ... +85 °C	
Storage temperature	-40 °C ... +85 °C	
Humidity	98%	without condensation

Electrical data:	4-20 mA	0-10 V	Additional information
Operating voltage	+15 ... +30 VDC	+12 ... +30 VDC	
Load resistance	$RL < 500 \Omega$ bei $UB \geq 15 \text{ VDC}$	$RL < 10 \text{ k}\Omega$ bei $UB \geq 12 \text{ VDC}$	
Linearity	0,15%	0,15%	
Starting time	< 1 s	< 1 s	
Settling time	80 ms	80 ms	
Power consumption	typical 50 mA	typical 50 mA	
EMV	EN 61000-6-2 EN 61000-6-4		noise immunity/immision emitted interference/emission

Sensor data:		Additional information
Resolution	12bit	over the preprogrammed measuring range
Smallest measuring range	22,5°	
Largest measuring range	65.536 revolution	
Measuring range	16 revolution (factory setting)	

Accessory	Part No.	Description	Notes
	84109	Mating connector M12	5 pins circular cabel connector A-coded
	83006	Mating connector M12	5 pins angle cabel connector A-coded
	SK	Servo clamp	
	AK18	Flexible coupling	