

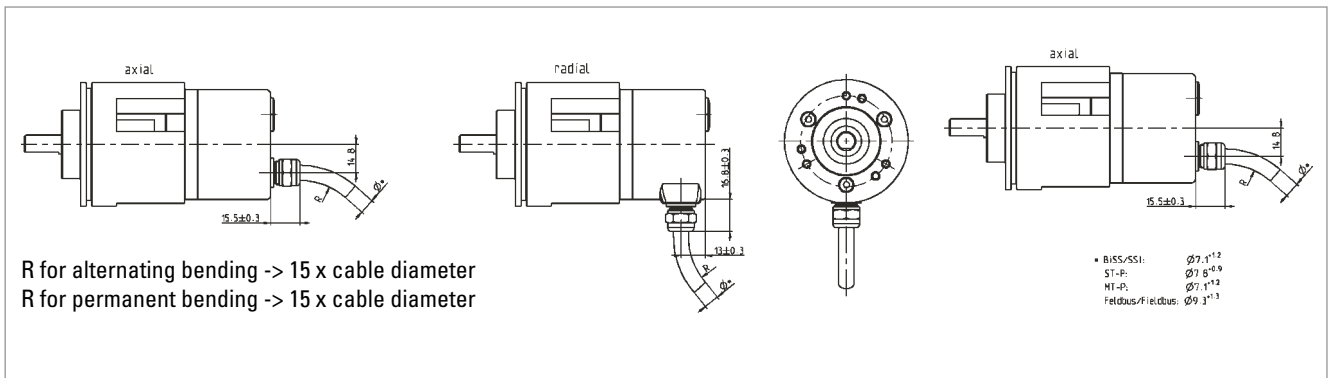
Encoder with Shock Module

AC58-S/M/P WITH OPTIONAL SHOCK MODULE

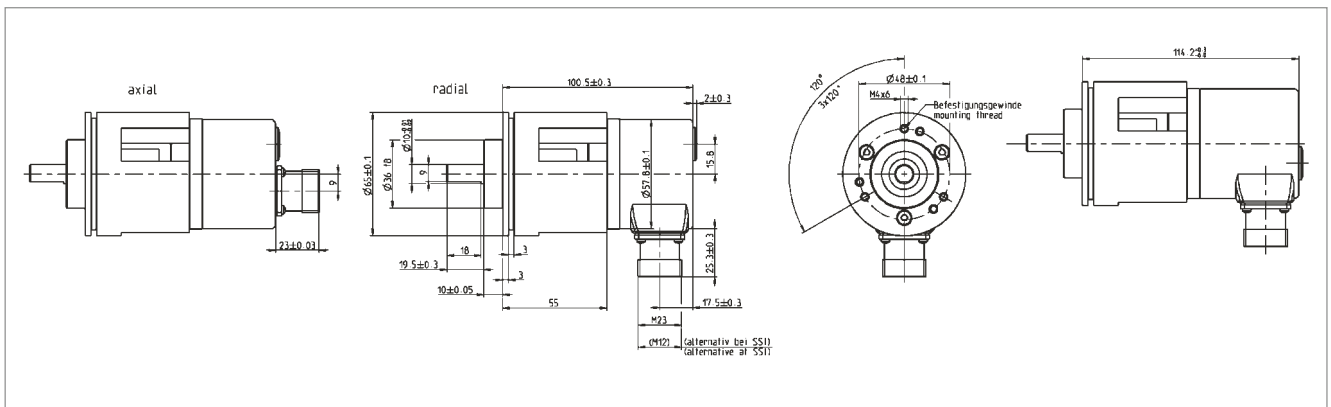
Applications with vibration rates of up to $>100 \text{ m/s}^2$ and shock rates $>1000 \text{ m/s}^2$ require the use of a shock module. By means of integrated attenuating elements, these encoder ratings are reduced.

Fixing	flange by means of clamping flange or clamping eccentric, shaft by means of flexible coupling
Absolute max. shaft load	axial 30 N, radial 100 N
Shaft diameter	10 mm

DIMENSIONAL DRAWING Encoder with shock module, connecting cable



DIMENSIONAL DRAWING Encoder with shock module, flange connector



ORDERING DATA

For the encoder option with shock module, please enquire by stating your desired encoder type.