

Stainless Steel Helical Coupling



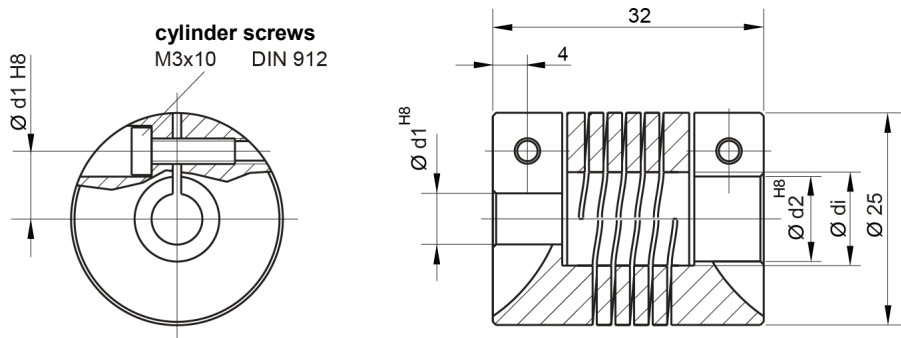
- Heavy Duty stainless steel coupling for harsh environmental condition
- High torsion spring stiffness
- Vibration-reducing, optimum compensation of misalignments
- No moving parts, built from one part
- Material Stainless Steel 1.4104

HEAVY DUTY

TECHNICAL DATA

max. speed	6000 min ⁻¹
max. torque	200 Ncm
max. offset of shafts radial / axial	± 0,35 / ± 0,5 mm
torsion spring stiffness	29 Nm/rad
radial spring stiffness	150 N/mm
moment of inertia	84 gcm ²
max. clamping torque	200 Ncm
temperature range	-50°C ... +180 °C
weight appr.	88g
material	stainless steel
Material cylinder screws	stainless steel

DIMENSIONAL DRAWINGS



Dimensions in mm

ORDERING CODE

Hub diameter (d1/d2)	Ordering code
10/10 mm	3 520 090
Further diameters on request	

Suitable for encoder type RI59, AC59, AC61, RX71, AX71, AR63, HD20, HD25