

Mounting

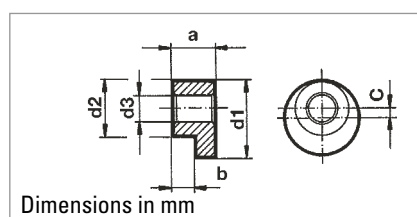
CLAMPING ECCENTRIC

Material CuZn39Pb3, surface nickel-plated

Set of three

Suitable for encoders with synchro flange type RI 30, RI 36, RI 58, AC 58

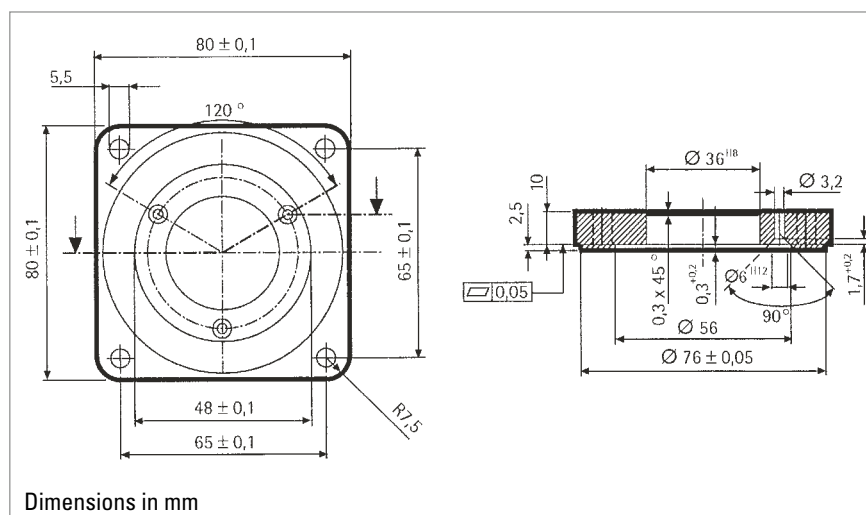
	$\varnothing d_1$	$\varnothing d_2$	$\varnothing d_3$	a	b	c
Ordering code 0 070 655 (RI 58, AC 58) Synchro flange for M3)	$8.9_{+0.1}$	6.5	3.2	$4.9_{-0.1}$	$2.9_{-0.1}$	1.2
Ordering code 0 070 657 (RI 58, AC 58) Synchro flange for M3)	12	9	3.5	$4.9_{-0.1}$	$2.9_{-0.1}$	1.5
Ordering code 0 070 654 (RI 30, RI 36) Synchro flange for M2.5)	$6.8_{+0.2}$	5	2.8	$4.4_{-0.1}$	$2.4_{-0.1}$	0.9



Dimensions in mm

SQUARE FLANGE ADAPTER 80 x 80 mm for clamping flange RI 58, AC 58 (fastening material included)

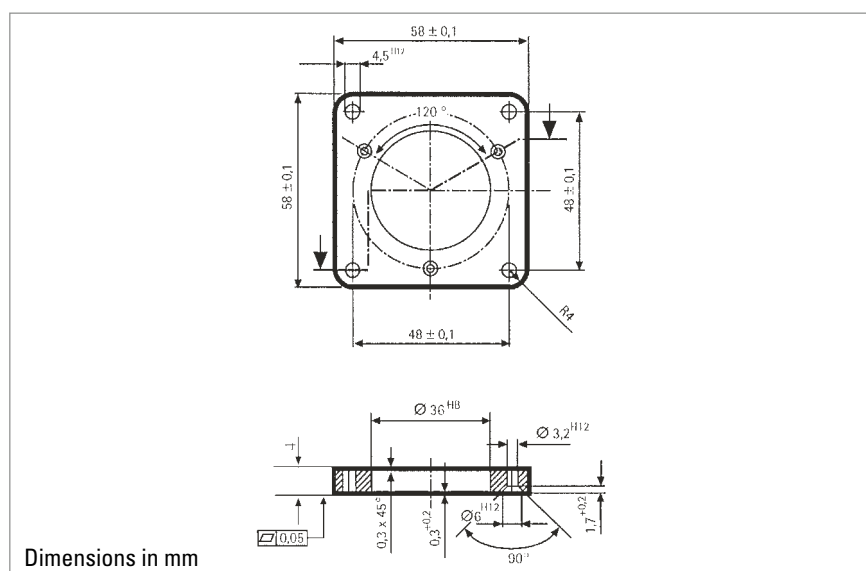
Ordering code 1 522 327



Dimensions in mm

SQUARE FLANGE ADAPTER 58 x 58 mm for clamping flange RI 58, AC 58 (fastening material included)

Ordering code 1 522 326

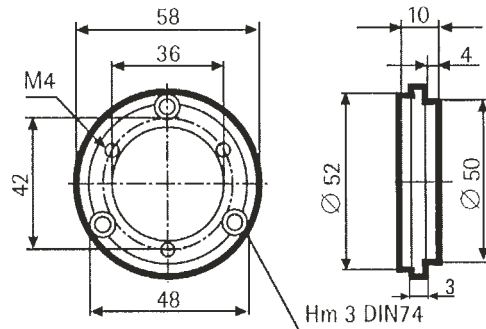


Dimensions in mm

Mounting

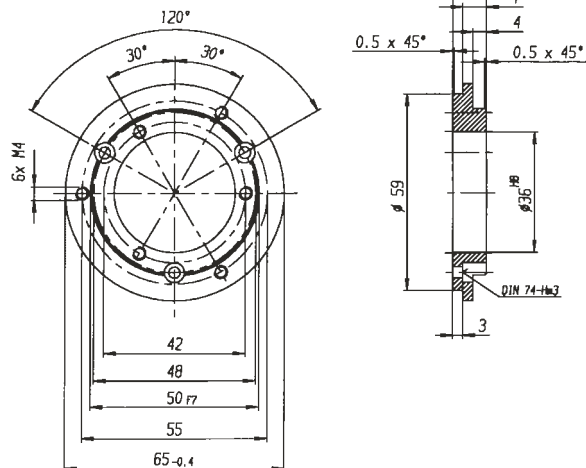
SYNCHRO FLANGE ADAPTER
for clamping flange RI 58, AC 58
(fastening material included)

Ordering code 1 522 328



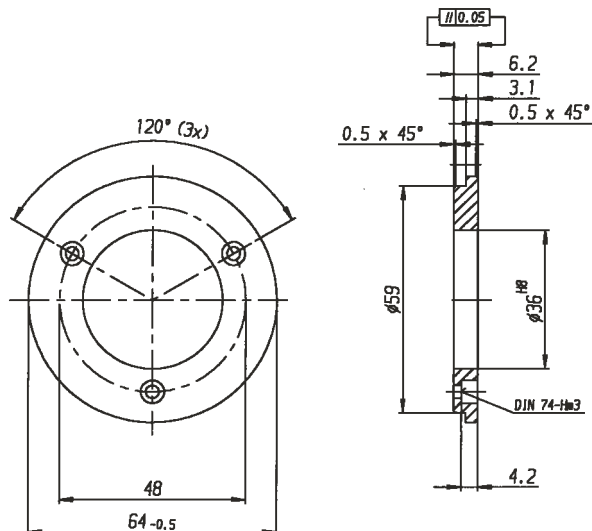
SYNCHRO FLANGE ADAPTER
for clamping flange RI 58
(same dimensions as TR HE 65)
(fastening material included)

Ordering code 1 522 542



SYNCHRO FLANGE ADAPTER
for clamping flange RI 58
(same dimensions as AG 661)
(fastening material included)

Ordering code 1 522 547



Mounting

MOUNTING BELL (PLASTIC)
for synchro flange RI 58, AC 58
(clamping eccentric and
fastening material included)

Ordering code 1 522 330

