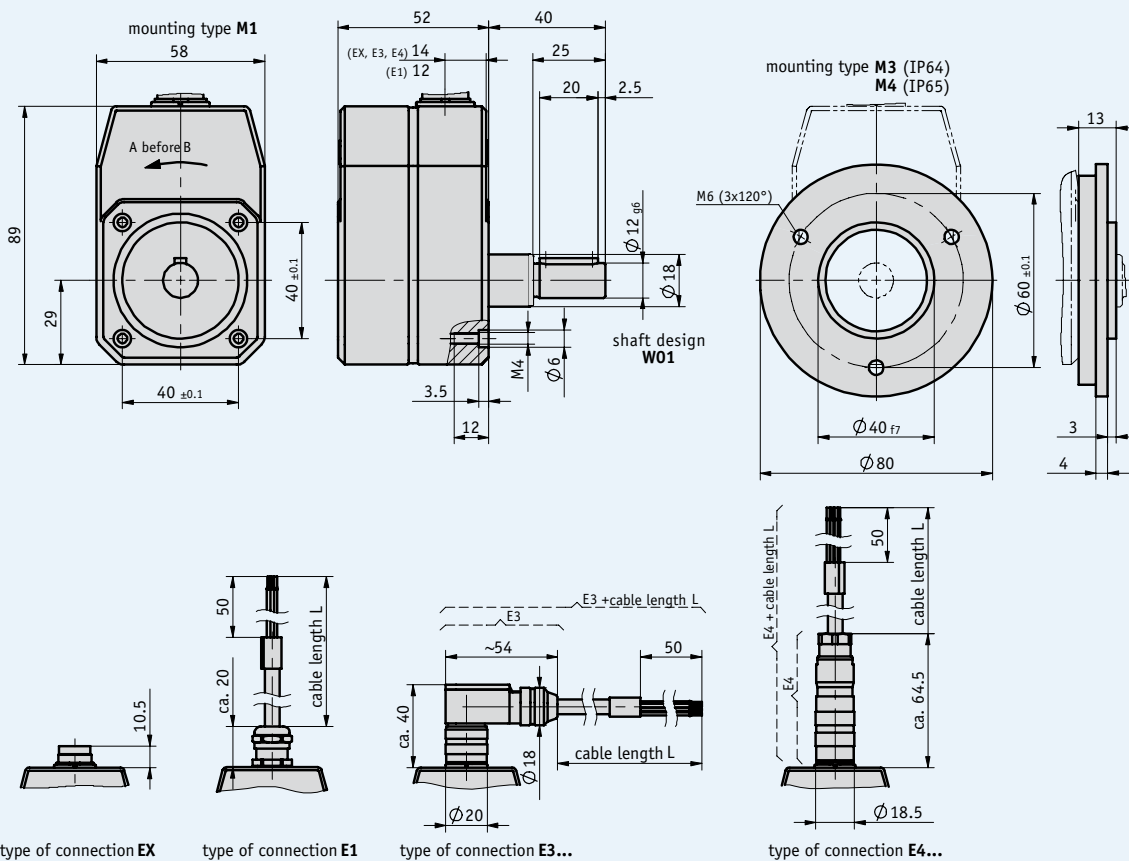


Profile

- Resolutions of max. 1024 pulses/revolution
- Solid shafts up to $\varnothing 16$ mm
- Housing made of zinc die-cast
- High shaft load rating, radial 5600 N, axial 1400 N



Mechanical data

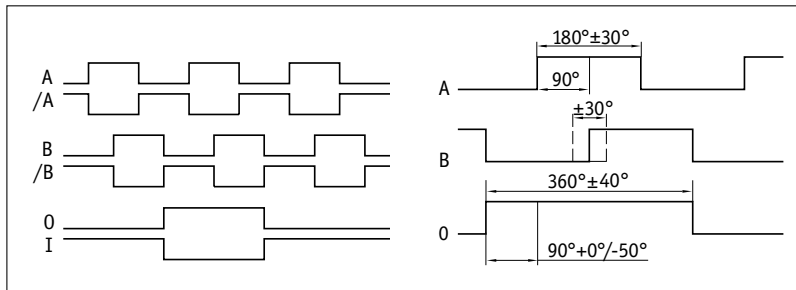
Feature	Technical data	Additional information
Max. speed	6000 rpm 3000 rpm	with IP64 with IP65
Shaft moment of inertia	$\sim 28.5 \times 10^{-6} \text{ kgm}^2$	with W01
Starting torque at 20 °C	$\leq 6 \text{ Ncm}$ $\leq 10 \text{ Ncm}$	with IP64 with IP65
Shaft load rating	radial 5600 N axial 1400 N	
Weight	$\sim 0.75 \text{ kg}$	
Protection category	IP64, IP65	
Operating temperature	0 ... +60 °C	
Storage temperature	-20 ... +85 °C	
Shock resistance	200 g/6 ms	according to DIN EN 60068-2-27
Vibration resistance	20 g/5 ... 2000 Hz	according to DIN EN 60068-2-6
Shaft	browned steel	
Housing	zinc, die-cast	
Cable sheath	PVC	

Electrical data

Output circuit

Feature	PP, OP Push-pull	LD Line driver	LD24 Line driver	Additional information
Operating voltage	+10 ... +30 V DC	+5 V DC $\pm 5\%$	+10 ... +30 V DC	
Current consumpt. w/o load (typ.)	<40 mA	<40 mA	<40 mA	AB0 variant
Maximum load/channel	$\pm 40 \text{ mA}$, short circuit-resist.	$\pm 40 \text{ mA}$, short circuit-resist.	$\pm 40 \text{ mA}$, short circuit-resist.	
Max. pulse frequency	80 kHz	50 kHz	50 kHz	
Phasing	$90^\circ \pm 30^\circ$	$90^\circ \pm 30^\circ$	$90^\circ \pm 30^\circ$	
Signal level high (min.)	UB -2 V			
Signal level low (max.)	1 V, at 40 mA			
Signal level		RS422 A spec.	RS422 A spec.	
Inverse-polarity protection on UB	yes	no	no	

Signal image



Pin assignment

Output circuit PP

Output signals AXX, AX0, ABX, ABO

Signal	E1	EX, E3, E4
GND	gray	1
A	yellow	2
B	white	3
O/I	green	4
+UB	brown	5
N.C.		6, 7

Output circuit OP

Output signals AXX, AX0, ABX

Signal	E1	EX, E3, E4
GND	gray	1
A	yellow	2
B	white	3
N.C.		4
+UB	brown	5
/A	pink	6
/B	blue	7

Output circuit OP

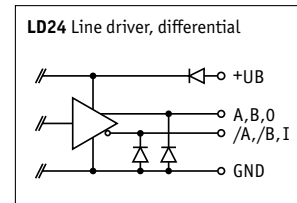
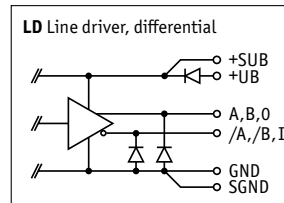
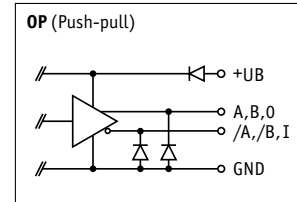
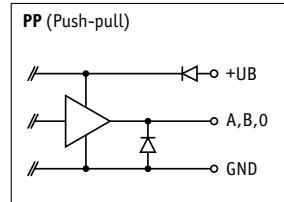
Output signals ABO

Signal	E1	EX, E3, E4
A	yellow	A
B	white	B
O	green	C
/A	pink	D
/B	blue	E
I	violet	F
GND	gray	G
GND	black	H
+UB	brown	J
+UB	red	K
N.C.		L, M

Output circuit LD, LD24

Output signals AXX, AX0, ABX, ABO

Signal	E1	EX, E3, E4
A	yellow	A
/A	green	B
GND	gray	C
+UB	pink	D
B	white	E
/B	brown	F
+SUB	red	G
only with LD5		
SGND	blue	H
only with LD5		
O	red-blue	J
I	gray-pink	K
GND	black	L
+UB	violet	M



Order

Order table

Feature	Order text	Specification	Additional information
Output signals	... A	AXX, ABX, ABO, ABI, AXO, AXI	
Pulses/revolution	... B	1, 2, 5, 10, 20, 25, 30, 36, 40, 50, 60, 70, 80, 90, 100, 125, 140, 150, 160, 180, 200, 220, 250, 280, 300, 350, 360, 400, 450, 500, 512, 585, 600, 750, 800, 900, 1000, 1024 others on request	
Type of connection	EX E1 E3 E4 C	without cable flying leads angle plug connector	
Cable length L	... OK D	0.5, 2 ... 60 m, in steps of 1 m without cable	
Mounting type M ...	1 3 4 E	with blind hole bore with flange, IP64 with flange, IP65	only with MS only with RS
Output circuit	PP OP LD LD24 F	push-pull push-pull with inverted signals line driver line driver, 24 V	
Shaft diameter	12 G	Ø 12 mm others on request	
Bearing	MS RS H	high-precision packed sealing gap, IP64 enhanced bearing sealing, IP65	

Order code



Scope of delivery: IG17, User information

Accessories:

Servo-clamp
Electronic displays MA55, MA10/4

Page 95
Catalog 6 DisplayLine

Additional information:

General information and areas of application

Page 42 cont.