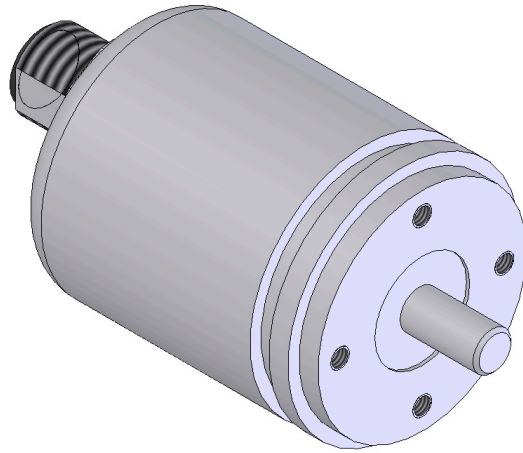


Absolute encoder WV36M/CAN



Features:

- small design
- interface CANopen (DS406)
- protection IP64
- multiturn without battery

SIKO GmbH

Address
 Weihermattenweg 2
 79256 Buchenbach

Telephone
 +49 7661 394-0

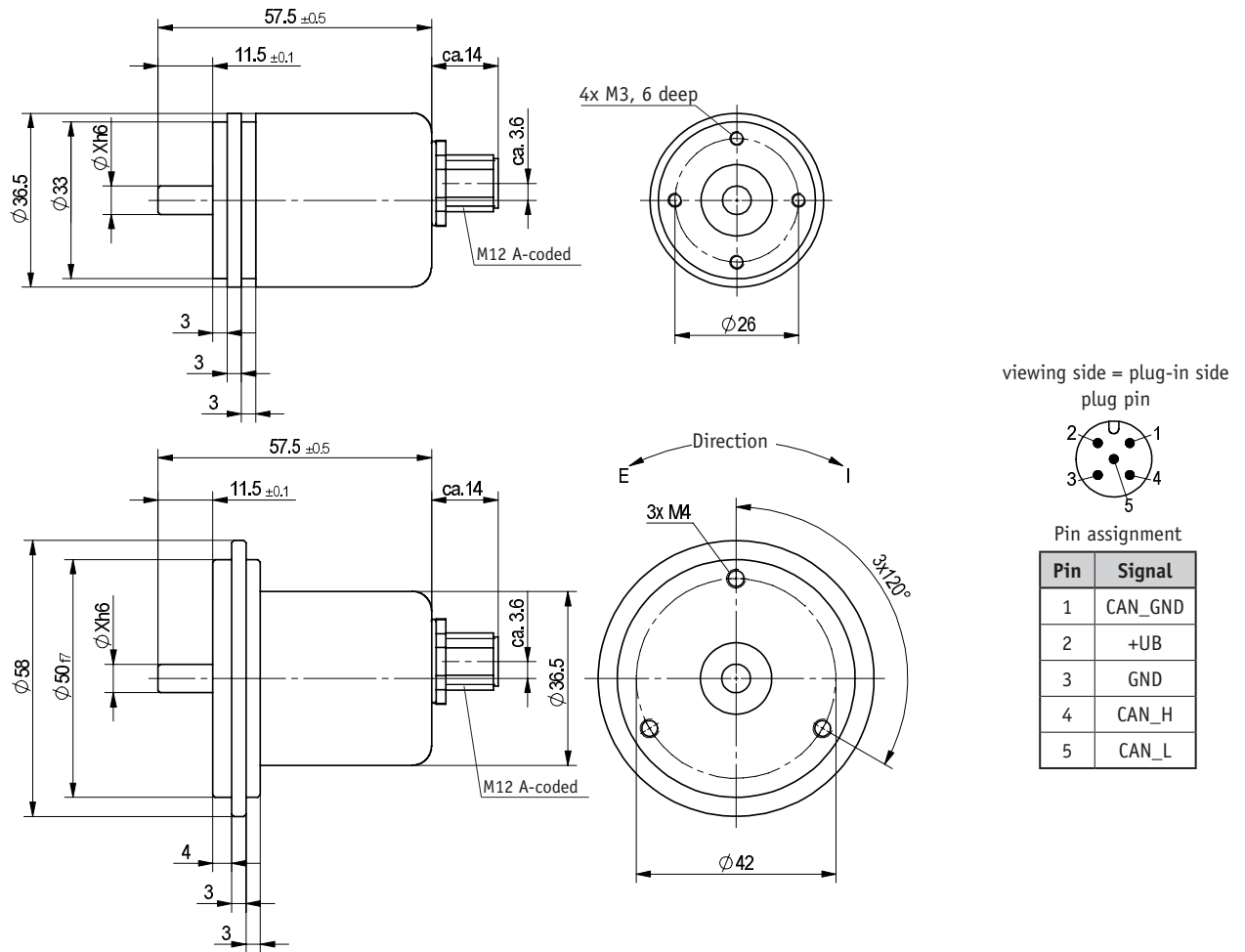
Fax
 +49 7661 394-388

eMail
 info@siko.de
Internet
 www.siko.de

Feature	Order text	Additional information
Steps per revolution	4096 A 12 Bit	
Number of revolution	4096 B 12 Bit	
Mounting type	6/S36 C shaft-ø/flange-ø	
	6/S58 C shaft-ø/flange-ø	
Connection type	M12 D 5 pole (A-coded)	

Your ordering: - - - -

Absolute encoder WV36M/CAN



Technical data

Mechanical data:		Additional information
Flange/housing	aluminium / steel nickelized	
Shaft	stainless steel	
Shaft loading	max. axial 20N; max. radial 80N	
Speed	max. 12000min ⁻¹	
Rotor moment of inertia	≤30gcm ²	
Shock resistance	≤100g / 6ms	according to EN 60068-2-27
Vibration resistance	≤10g (10Hz ... 1,000Hz)	according to EN 60068-2-6
Weight	ca. 0,15kg	
Protection	IP64	
Working temperature	-30°C ... +85°C	
Storage temperature	-30°C ... +85°C	
Humidity	98%	without condensation

Electrical data:

Operating voltage	10-30VDC	polarity protection
Power consumption	max. 1,2W	
CAN interface	according ISO 11898, galvanically isolated	CANopen (DS406)
Transmission rate	max. 1M Baud	
Device addressing	adjustable	per SDO or Layer Setting Service (LSS)
Cycle time	<1ms	
EMC	EN 61000-6-4	emitted interference
	EN 61000-6-2	noise immunity

Accessory			
84109	Mating connector M12		5 pins circular cabel connector A-coded
83006	Mating connector M12		5 pins angle cabel connector A-coded
SK	Servo clamp		
AK18	Flexible coupling		