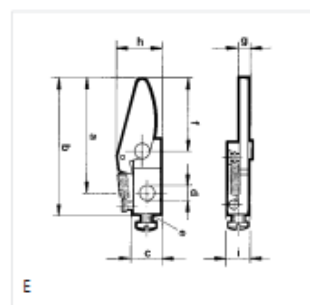
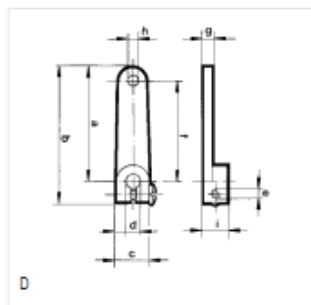
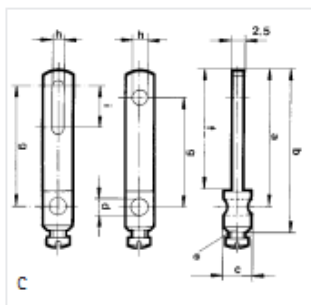
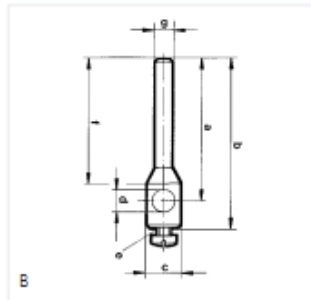
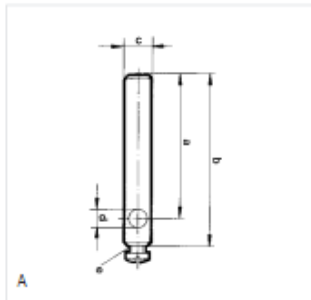


Stroke Levers

OVERVIEW

This overview shows different kinds of levers available. The stroke levers are not supplied with the counters and must be ordered separately.

A "standard lever" is stated with the order information for mechanical stroke counters.



Stroke Levers

DIMENSION TABLE

ORDER INFORMATION

Technical data

Ordering code	a	b	c	d	e	f	g	h	i
0 600 003	34	40.5	∅ 8	∅ 5	M 3	29.5	∅ 4	--	--
0 600 005	45	55	∅ 10	∅ 7	M 4	41	∅ 5	--	--
0 600 007	26	31.5	∅ 7	∅ 3	M 2.6	21.2	--	--	--
0 600 009	22	28	∅ 7	∅ 4	M 4	18	18	3	11
0 600 010	28.7	33.7	8	∅ 3	M 2.6	25.4	1.8	2.5	5.5
0 600 012	28.2	33.5	7	∅ 3	M 2.6	17.8	2	10.7	5
0 600 013	28.2	33.5	7	∅ 4	M 4	17.8	2	10.7	5
0 600 026	35.5	41.5	∅ 7	∅ 4	M 4	31.5	∅ 3.5	--	--
0 600 047	27.5	35	7	∅ 4	M 3	24	2.5	2	6
0 600 061	22	28	∅ 7	∅ 4	M 4	18	15	3	--
0 600 090	33	39.5	∅ 8	∅ 5.5	M 4	28.5	∅ 4	--	--
0 600 126	35	41.5	∅ 6	∅ 4	M 4	--	--	--	--

Bore ∅ mm	Shape				
	A	B	C	D	E
3	--	--	0 600 007	0 600 010	0 600 012
4	0 600 126	0 600 026	0 600 009*	0 600 047*	0 600 013
4	--	--	0 600 061*	--	--
5	--	0 600 003	--	--	--
5.5	--	0 600 090	--	--	--
7	--	0 600 005	--	--	--

* on request
Inquire for other stroke levers