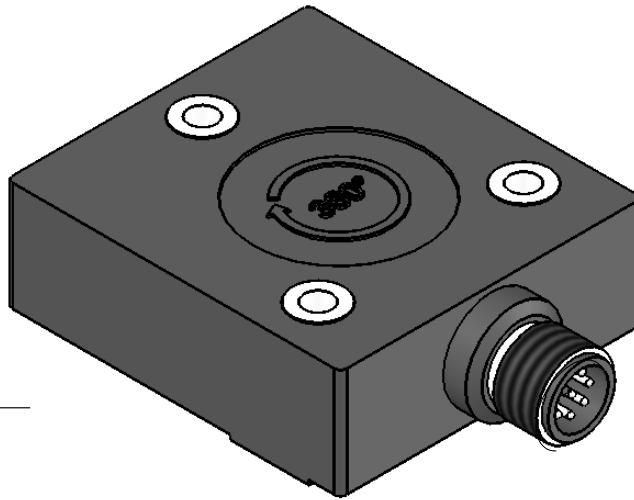


Inclinometer IK360



Features:

- One-axis inclinometer 0 ... 360°
- Accuracy 0,1°; Resolution 0,01°
- Interfaces RS232+U; RS232+I; CANopen
- temperature compensated
- Protection IP69K
- easy three-point-mounting

SIKO GmbH

Address
 Weihermattenweg 2
 79256 Buchenbach

Telephone
 +49 7661 394-0

Fax
 +49 7661 394-388

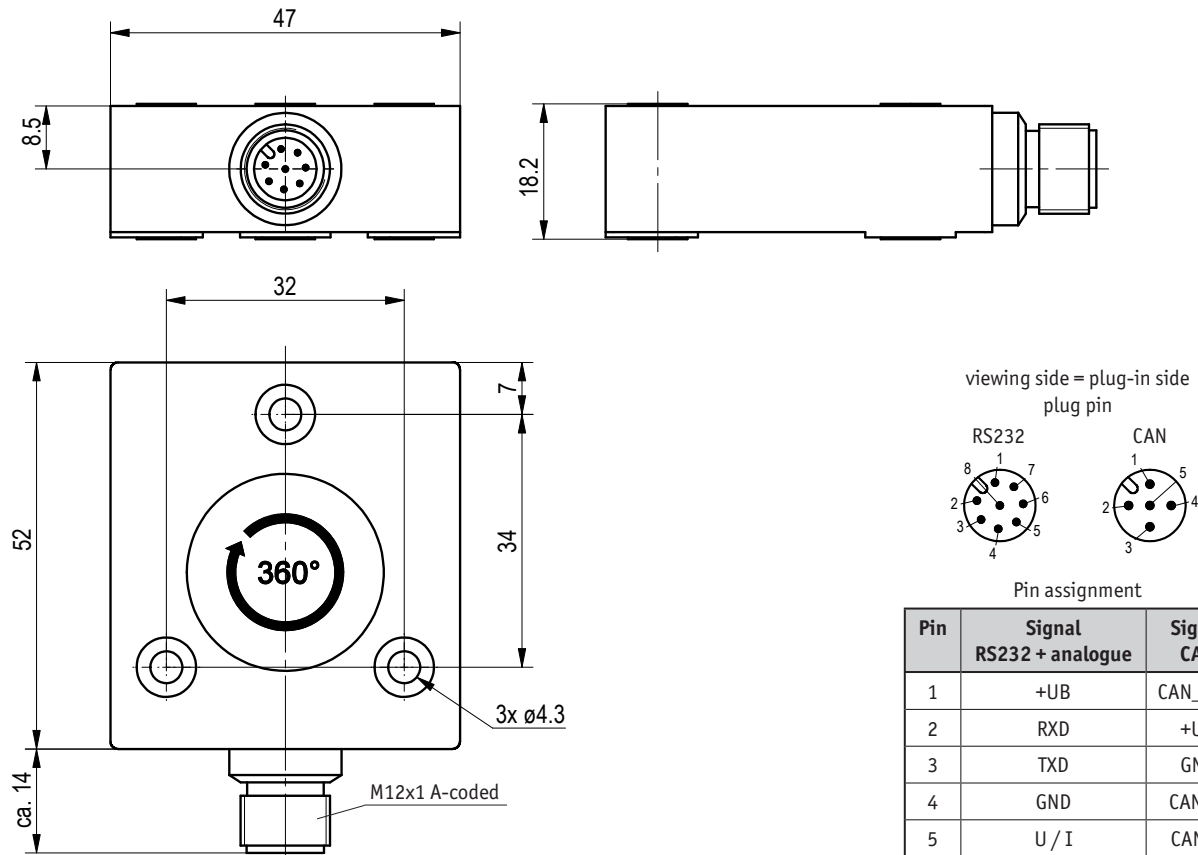
eMail
 info@siko.de

Internet
 www.siko.de

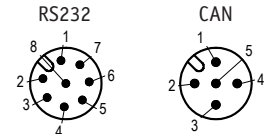
Feature	Order text	Additional information
Interface	RS232 + U	RS232 + voltage output
	RS232 + I	RS232 + current output
	CAN	CANopen

Your ordering: -

Inclinometer IK360



viewing side = plug-in side
plug pin



Pin assignment

Pin	Signal RS232 + analogue	Signal CAN
1	+UB	CAN_GND
2	RXD	+UB
3	TXD	GND
4	GND	CAN_H
5	U / I	CAN_L
6-8	not connected	

Technical data

Mechanical data:

Housing	plastic
Shock resistance	≤100 g / 6 ms
Vibration resistance	≤10 g (10 Hz ... 1,000 Hz)
Weight	ca. 0,1 kg

Electrical data:

Operating voltage	12 ... 30 VDC
	10 ... 30 VDC
Power consumption	< 1 W
Measuring range	360°
Number of axes	1
Resolution	0,01°
Accuracy	0,1° (at -10 °C ... +40 °C)
Sensor response time	10 ms (without filter)
Interface RS232 + analogue	U: 0,5 ... 4,5 V, 0° = 0,5 V; ≤1 mA
	I: 4 ... 20 mA, 0° = 4 mA; load ≤270 R
Interface CAN	according ISO 11898, galvanically isolated
EMV	EN 61000-6-4
	EN 61000-6-2

Additional information

IK360 with current output
IK360 with voltage output and CANopen

CANopen (profile 410)
emitted interference
noise immunity

Environmental conditions:

Working temperature	-40 °C ... +85 °C
Humidity	100 %
Protection	IP69K (connected)

Accessory

84109	Mating connector M12 (CAN)	5 pins circular cable connector A-coded
83006	Mating connector M12 (CAN)	5 pins angle cable connector A-coded
83525	Mating connector M12 (RS232)	8 pins circular cable connector A-coded